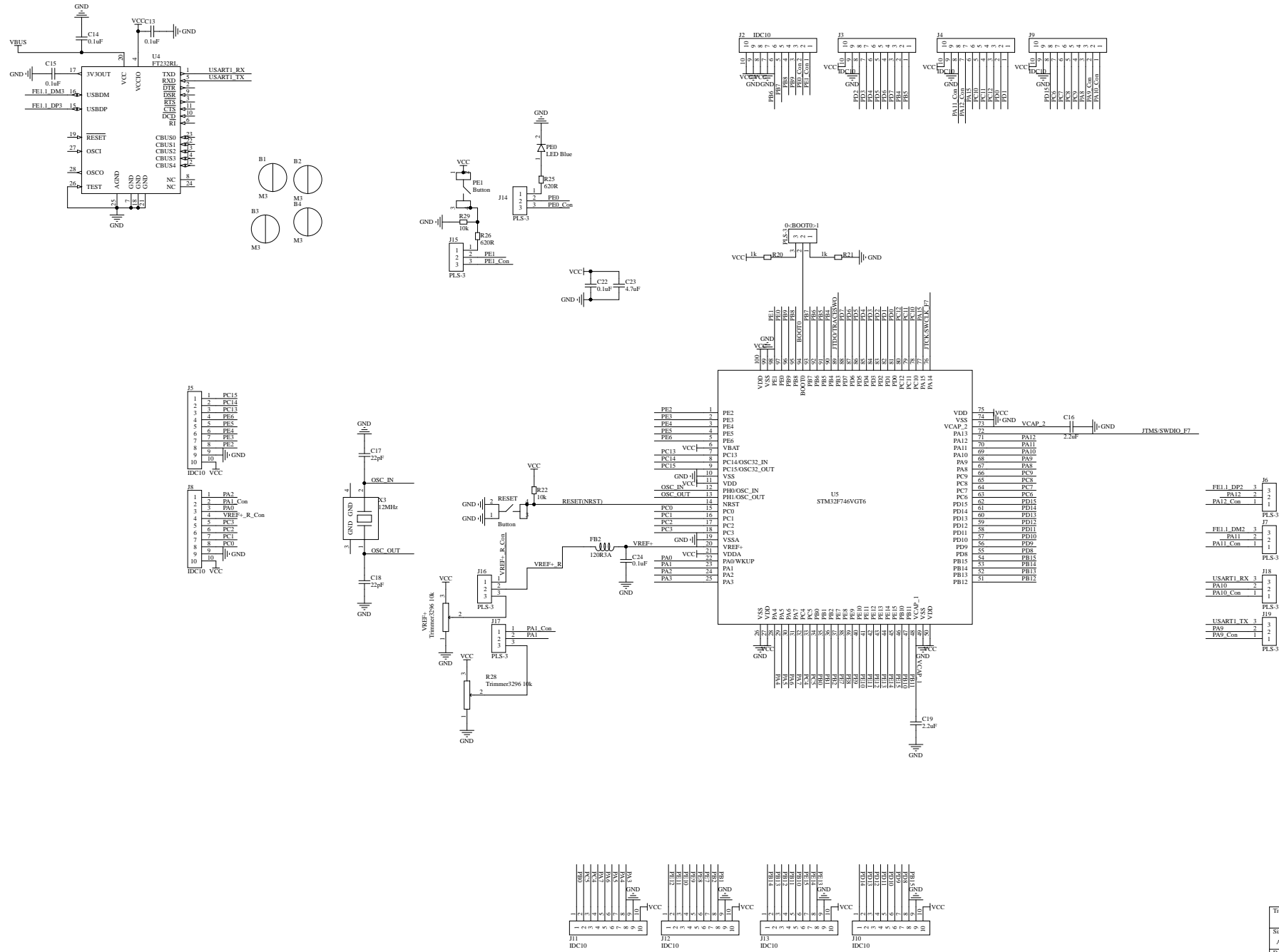
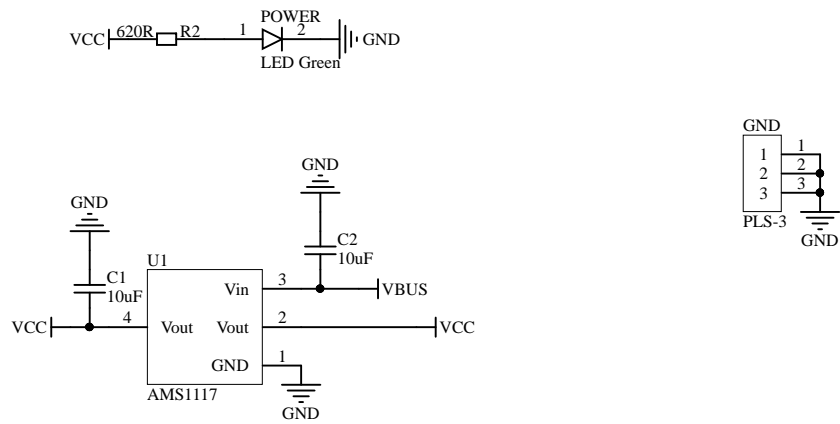


# Main



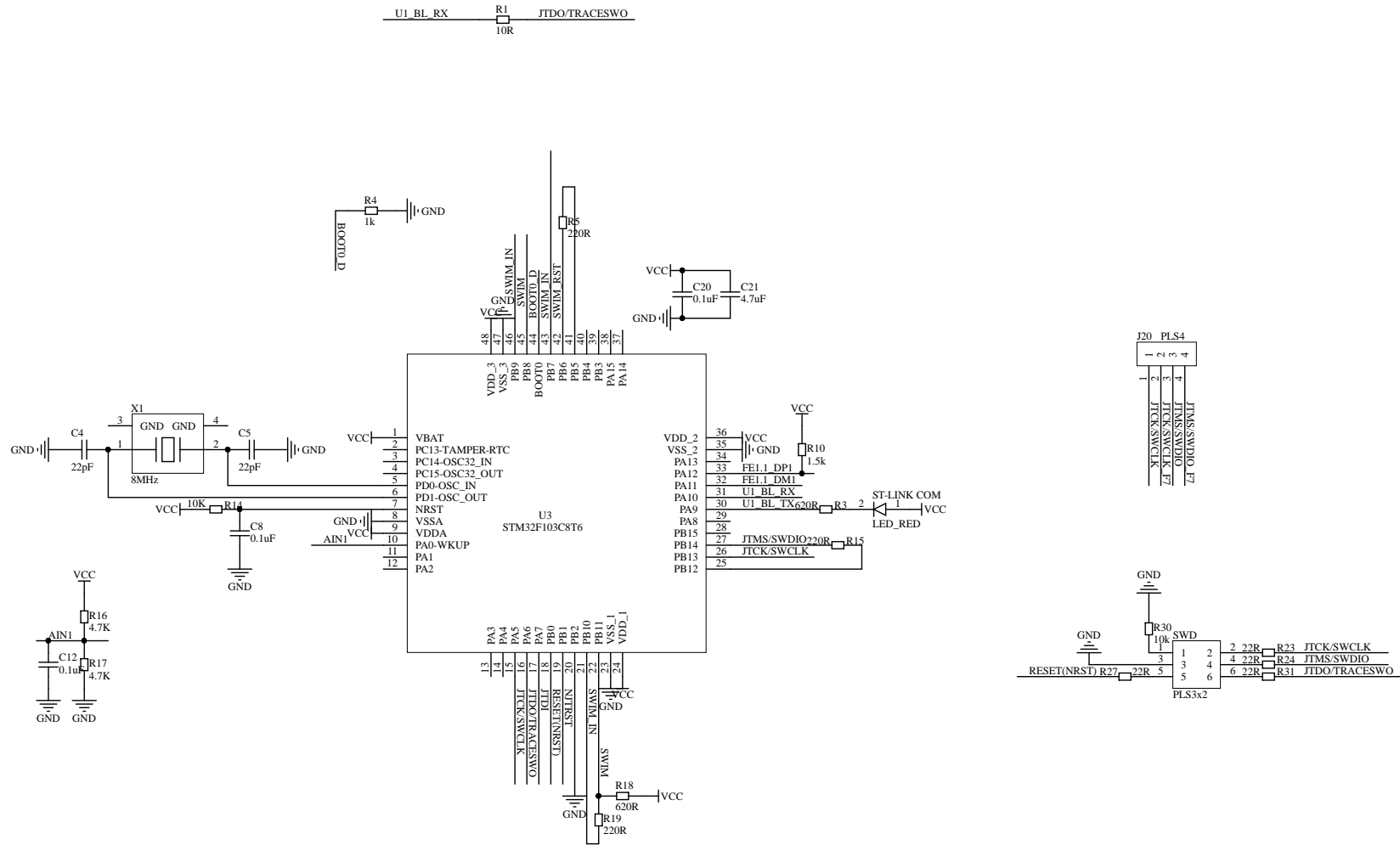
Title		
Size	Number	Revision
A2		
Date:	08/05/2016	Sheet: 4 of 20/MUZGG
File:	E:\Hobby\STM32F7\evaluationBoard	Project: RevD

# Power



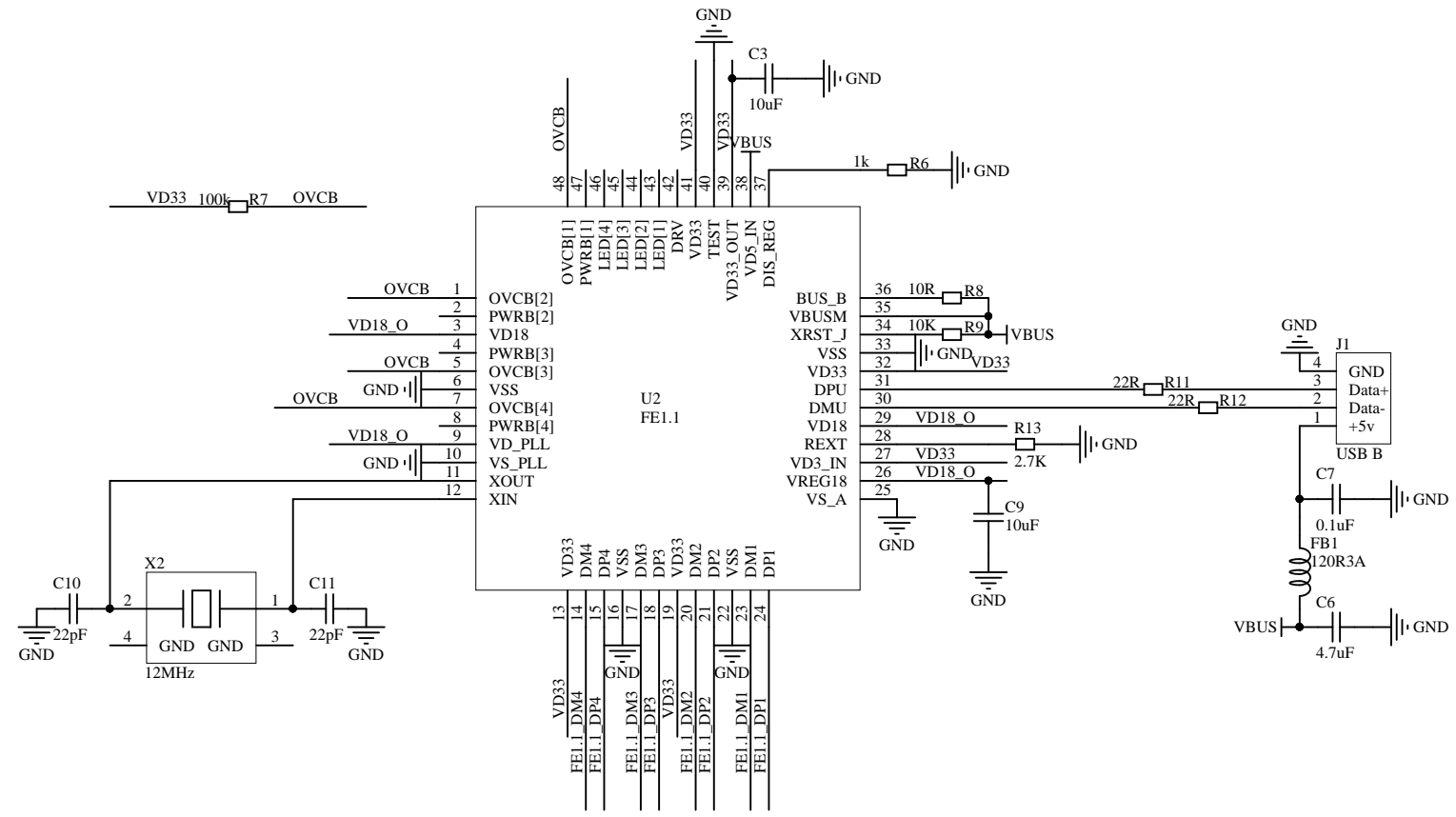
Title		
Size A4	Number	Revision
Date:	08.05.2016	Sheet of
File:	E:\Hobby\STM32F7EvaluationBoardPowerSchDoc	

# ST-Link



Title		
Size	Number	Revision
A3		
Date:	08.05.2016	Sheet of
File:	E:\Hobby\STM32F7\EvaluationBoardS1	DmsCB1.SchDoc

# USB-HUB



Title		
Size	Number	Revision
A4		
Date:	08.05.2016	Sheet of
File:	E:\Hobby\STM32F7EvaluationBoardUSB-HUB\SCH.SchDoc	